

PRODUCT  
CATALOGUE

**OBLO**  
LIVING

# SMART HOME SOLUTIONS

# OBLO LIVING

OBLO Living (shortly OBLO) is a technology company built on a passion for innovation and high-quality IoT products and solutions.

OBLO combines end-to-end software solution for smart home with in-house developed smart home devices and devices from our partners to cover lighting, security, safety, energy management and other aspects of the fast-growing smart home market.

We strive to make your everyday life easier by keeping you and your home safe, more efficient and more comfortable.

# HOW OBLO LIVING SMART HOME SYSTEM WORKS?

In OBLO smart home system the four elements work together to create your perfect smart home: Applications, Smart Home (SH) Gateway, Cloud and Nodes



## APPLICATIONS

By providing an intuitive, easy to use app for major mobile platforms (Android and iOS), we ensure finegrade control of your home at no effort. With OBLO Living app you can always keep an eye on your home. The app will help you to monitor and control your entire home no matter where you are.

## SMART HOME GATEWAY

The central place in OBLO smart home system is reserved for a smart home gateway device, which serves as a brain of the system. It is a central device that integrates OBLO products into an intelligent system and allows you to monitor and control them from the OBLO Living app.

## CLOUD

OBLO cloud plays an important role in OBLO smart home system, since it enables home control and monitoring from any location. Built around modern web technologies, it ensures the highest security and robustness with the lowest latency in smart home communication chain.

## NODES

By using OBLO Living nodes together with free mobile app and a gateway, you will turn your home into a smart home in few simple steps. Whether you want to control your lights, indoor temperature, power consumption or something else, OBLO nodes are at your service.

# USE CASES



## LIGHTING

- Remotely control your lights
- Automatically turn on/off lights
- Set ambient light based on your mood
- Change the color of your lights



## SECURITY

- Monitor your home via IP camera
- Detect emergency situations
- Get notified about security flaws in your home
- Keep your home safe from potential burglars



## ENERGY

- Remotely control heating and cooling systems
- Monitor power consumption of home appliances
- Control your home in a smarter way to reduce energy bills
- Get notified about high energy consumption sources



## COMFORT

- Create your morning scene for the perfect start of the day
- Control devices without leaving your seat
- Monitor temperature, light intensity and humidity in your home
- Get outdoor weather information

# PRODUCTS

## APPLICATIONS

p.10

## SH GATEWAY

p.12

## NODES

p.14

## PARTNER

## NODES

p.28



# Applications

OBLO allows you to control and monitor your entire home with one simple app. See statuses, change settings, control devices, create your own rules and get notifications with ease.

By providing easy to use app, we ensure fine grade control of your home at no effort.

## SUPPORTED PLATFORMS

OBLO app is available for Android and iOS smartphones and tablets. Additionally, we offer an app for web browser based devices (HTML).



## SERVICES

### DEVICES

The end user can control and monitor devices based on their location (e.g. living room, kitchen, etc.) or their type (e.g. lights, temperature sensors, etc.)

### SMARTS

Smarts allow control and monitoring of devices on room level and implement the most common logic for the use case (e.g. lighting, heating, alarms, etc.) they address

### RULES

Allow the end user to make their home smart by defining an actions on specific events (e.g. turn on the light when someone enters the room, etc.)

### DASHBOARD

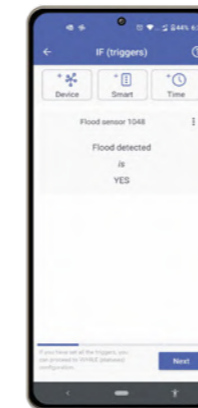
Shows favorite devices, rules or smarts

### HOME SETUP

Is used to configure user's home (add/remove nodes, rename room, add floor, etc.)

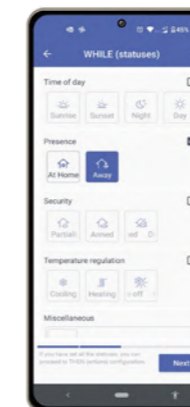
## ADD A BIT OF SMARTNESS TO YOUR HOME

There are many features of OBLO Living app, but rules can make your home really "smart". Now, in three simple steps, you can create your own rule according to your needs.



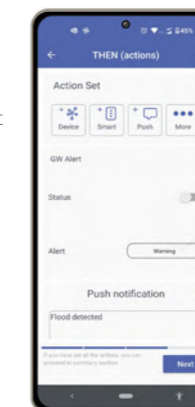
### Define a trigger

When creating your own rule, you can choose between time trigger (e.g. Monday at 8PM) and device trigger (e.g. flood detected).



### Set status

In the next step, you should set the status at which your rule will be active (Armed, At Home, Night, etc.).



### Define actions

Define an action (or action sets) for defined triggers (e.g. send push notification when flood is detected).





## SH Gateway

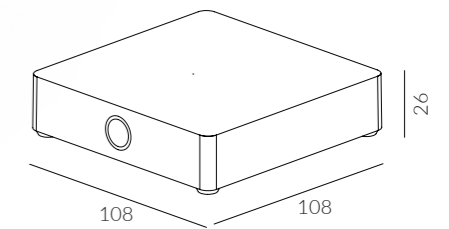
OBLO Living SH Gateway device takes central place in smart home system. Our stylish desktop gateway supports ZigBee, Z-Wave Plus and IP protocols.

It is based on a cost-effective "proven" SoC with outstanding LAN/Wi-Fi capabilities and supports world-wide markets thanks to the external power supply. Combined with OBLO client (Android/iOS/HTML) applications and OBLO cloud service it provides a turnkey platform that covers lighting, security, safety, energy management and other aspects of the fast-growing smart home markets.



### SH GATEWAY

DOC400



\*dimensions are given in mm

Package includes: SH Gateway, Ethernet cable, power supply, user manual

### KEY FEATURES

#### ZIGBEE

Compliant with ZigBee Home Automation 1.2

#### Z-WAVE PLUS

Compliant with Z-Wave Plus

#### IP

Supports integration of IP-based devices

#### WIFI AND ETHERNET

Connects to your Internet router either via WiFi or Ethernet cable

#### EXTERNAL PSU

Supports worldwide markets

#### BUZZER

Built-in buzzer alerts emergency situations

### TECHNICAL SPECS

#### CONNECTIVITY

ZigBee  
 Z-Wave Plus  
 IP (WiFi and Ethernet)

#### RANGE

Up to 30m (depending on your home's construction)

#### OPERATING CONDITIONS

Indoor usage (protection degree IP20)  
 Temperature: 0 to 40 °C

#### POWER SUPPLY

~110 - 230VAC, 50-60Hz

#### POWER CONSUMPTION

<5W



## Smart Dimmer

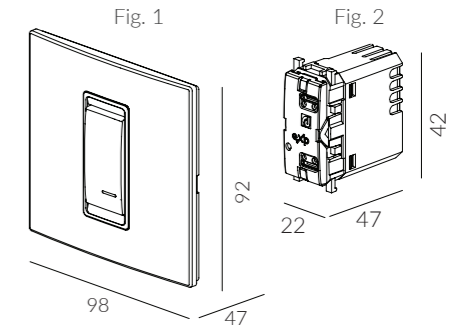
Remotely control your lights or set ambiance by replacing existing switches with OBLO Smart Dimmer switches to furnish any room throughout your home, improving comfort and energy savings. Increase your comfort level by setting the perfect light level for any activity and enjoy every moment of it.

Use Cases: 



### SMART DIMMER

sEB100 (Smart Dimmer Set - Fig. 1)  
EB100 (Smart Dimmer - Fig. 2)



\*dimensions are given in mm

Dimmer Set package includes: Smart Dimmer, mounting frame, decorative mask, switch button, user manual

Dimmer package includes: Smart Dimmer, user manual

### KEY FEATURES

#### RETROFIT SOLUTION

Easily replace existing switch with OBLO Smart Dimmer. Fits into standard Ø 60 mm wall box

#### MODULAR DESIGN

Up to 7 Smart Dimmers can be arranged within single wall-mount point

#### ADVANCED ZIGBEE

Extends the range and supports large ZigBee networks

#### EASY INSTALLATION

Supports both 2-wire and 3-wire installation methods

#### SUPPORTED LIGHT TYPES

LED, incandescent and CFL

#### INTERCHANGEABLE MASKS

Screw-less masks available in a variety of colors and materials will perfectly match your interior

### TECHNICAL SPECS

#### COMMUNICATION PROTOCOL

ZigBee

#### RANGE

Up to 30m (depending on your home's construction)

#### OPERATING CONDITIONS

Indoor usage (protection degree IP20)  
Temperature: 0 to 40 °C

#### POWER

Wall powered (230VAC, 50Hz)

#### LOAD TYPE

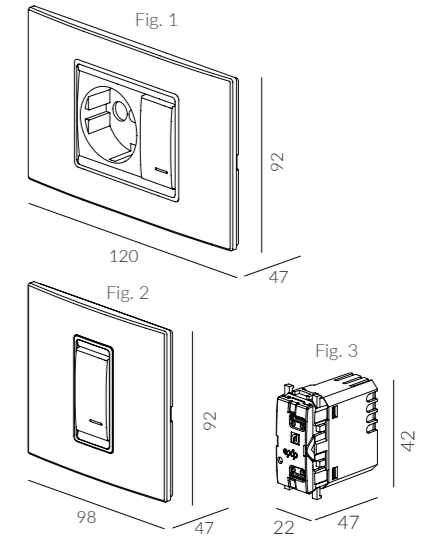
2-wire: incandescent, dimmable LED and dimmable CFL  
3-wire: incandescent, non dimmable and dimmable LED and CFL

#### MAXIMUM LOAD

200W (50W recommended for LED and CFL)

## HIGH LOAD SWITCH

sAE100 (High Load Switch Set with outlet - Fig. 1)  
sAE101 (High Load Switch Set - Fig. 2)  
AE100 (High Load Switch - Fig. 3)



\*dimensions are given in mm

Set with outlet package includes: High Load Switch, mounting frame, decorative mask, outlet, switch button, user manual

Set package includes: High Load Switch, mounting frame, decorative mask, switch button, user manual

Switch package includes: High Load Switch, user manual

## KEY FEATURES

### REMOTE CONTROL

Ideal for remote control of electric devices

### HIGH-LOAD DEVICE CONTROL

Up to 2200W load control

### POWER CONSUMPTION MEASUREMENT

Measures power consumption of the device attached to it

### OVERLOAD PROTECTION

Automatically switches off the device when power consumption exceeds user defined limit

## TECHNICAL SPECS

### COMMUNICATION PROTOCOL

ZigBee

### RANGE

Up to 30m (depending on your home's construction)

### OPERATING CONDITIONS

Indoor usage (protection degree IP20)  
Temperature: 0 to 40 °C

### POWER

230VAC, 50Hz

### MAXIMUM LOAD

10A 230VAC

# High Load Switch

OBLO High Load Switch controls home appliances, monitors power usage and saves energy. It also can limit power consumption to user defined limit, in order to protect from overload.

Use Cases:   





## Roller Shutter

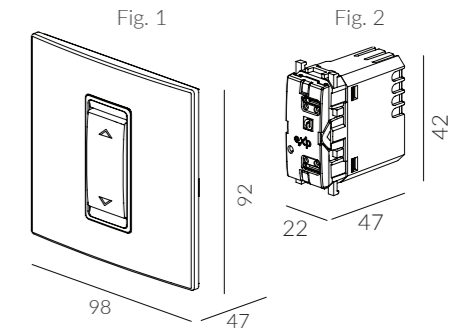
OBLO roller shutter controls motors of blinds, rollers, shades, venetian blinds, etc. Control can be done either remotely via OBLO app or manually through wall switch.

Use Cases:  



## ROLLER SHUTTER

art.72256 (Roller Shutter Set - Fig. 1)  
art.72236 (Roller Shutter - Fig. 2)



\*dimensions are given in mm

Set package includes: Roller Shutter, mounting frame, decorative mask, switch button, user manual

Roller Shutter package includes: Roller Shutter, user manual

## KEY FEATURES

### CONTROL

Supports voltage-controlled motors of blinds, rollers, shades and venetian blinds

### RETROFIT SOLUTION

Fits into standard Ø 60 mm wall box

### MODULAR DESIGN

Up to 7 Roller Shutters can be arranged within single wall-mount point

### INTERCHANGEABLE MASKS

Screw-less masks available in a variety of colors and materials will perfectly match your interior

### EASY INSTALLATION

Integration into existing infrastructure can be done in seconds

## TECHNICAL SPECS

### COMMUNICATION PROTOCOL

ZigBee

### RANGE

Up to 30m (depending on your home's construction)

### OPERATING CONDITIONS

Indoor usage (protection degree IP20)  
Temperature: 0 to 40 °C

### POWER

Wall powered (230VAC, 50Hz)



# Scene Controller

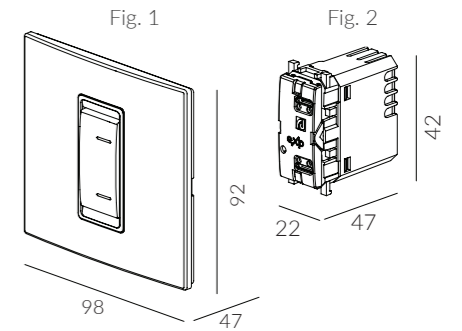
Set your favorite ambient at the touch of a button by using OBLO Scene Controller. By using it, you can create up to four ambient scenes according to your needs.

Use Cases:    



## SCENE CONTROLLER

- sE1100 (Scene Controller Set, 1 button - Fig. 1)
- sE2100 (Scene Controller Set, 2 buttons - Fig. 1)
- E1100 (Scene Controller, 1 button - Fig. 2)
- E2100 (Scene Controller, 2 buttons - Fig. 2)



\*dimensions are given in mm

Scene Controller Set package includes: Scene Controller, mounting frame, decorative mask, switch button, user manual

Scene Controller package includes: Scene Controller, user manual

## KEY FEATURES

### SCENES

Allows definition of ambient scenes

### RETROFIT SOLUTION

Fits into standard Ø 60 mm wall box

### MODULAR DESIGN

Do 7 kontrolera scena se može ugraditi u okviru jedne montažne kutije

### INTERCHANGEABLE MASKS

Screw-less masks available in a variety of colors and materials will perfectly match your interior

### EASY INSTALLATION

Integration into existing infrastructure can be done in seconds

## TECHNICAL SPECS

### COMMUNICATION PROTOCOL

ZigBee

### RANGE

Up to 30m (depending on your home's construction)

### OPERATING CONDITIONS

Indoor usage (protection degree IP20)  
Temperature: 0 to 40 °C

### POWER

Wall powered (230VAC, 50Hz)



## RGBW LED Driver

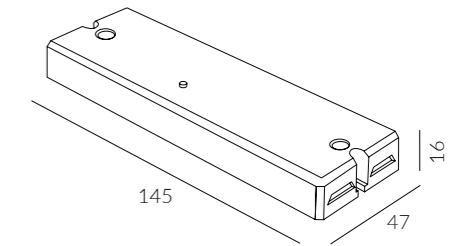
Control of LED strips has never been easier. No matter if you have simple ON/OFF, dimmable, CCT or RGBW LED strip, OBLO RGBW LED Driver is perfect solution for you.

Use Cases: 



## RGBW LED DRIVER

art.69501



\*dimensions are given in mm

Package includes: RGBW LED Driver, user manual

## KEY FEATURES

### 4-IN-1 DEVICE

Supports DIM, CCT, RGBW and RGB+CCT LED strip types

### HIGHER OUTPUT POWER

In combination with amplifier supports control of LED strips with higher output power

### EASY INSTALLATION

Standard connection with power supply and LED strip

## TECHNICAL SPECS

### COMMUNICATION PROTOCOL

ZigBee

### RANGE

Up to 30m (depending on your home's construction)

### OPERATING CONDITIONS

Indoor usage (protection degree IP20)  
 Temperature: 0 to 40 °C

### POWER

12-24VDC

### OUTPUT

Output current: 4A per channel (5 channels)  
 Output power: 240-480W



## Smart Plug

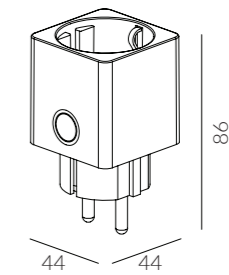
Almost unnoticeable, and nicely fitting in home, OBLO Smart Plug is a must have device to control appliances, measure power consumption, and save energy. As any device of the OBLO smart home system it can be controlled remotely.

Use Cases:   



### SMART PLUG

B1100



\*dimensions are given in mm

Package includes: Smart Plug, user manual

### KEY FEATURES

#### REMOTE CONTROL

Ideal for remote control of electric devices

#### HIGH-LOAD DEVICE CONTROL

Up to 3600W load control

#### POWER CONSUMPTION MEASUREMENT

Measures power consumption of the device attached to it

#### OVERLOAD PROTECTION

Automatically switches off the device when power consumption exceeds user defined limit

#### ADVANCED ZIGBEE

Extends the range and supports large ZigBee networks

#### LED INDICATION

RGB ring changes its color depending on current power consumption

### TECHNICAL SPECS

#### COMMUNICATION PROTOCOL

ZigBee

#### RANGE

Up to 30m (depending on your home's construction)

#### OPERATING CONDITIONS

Indoor usage (protection degree IP20)  
Temperature: 0 to 40 °C

#### POWER

German "Schuko" socket (CEE 7/3, 230VAC, 50Hz)

#### MAXIMUM LOAD

16A 230VAC



## Door/Window Sensor

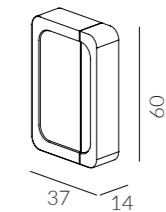
Expand your monitoring possibilities by installing OBLO Door/Window Sensor. The sensor combines features of contact state changes detection, temperature measurement and ZigBee wireless communication in a single tiny device.

Use Cases:   



### DOOR/WINDOW SENSOR

DC100



\*dimensions are given in mm

Package includes: Door/Window Sensor, adhesive strips, mounting screws, user manual

### KEY FEATURES

#### CONTACT STATE

Informs the end user about contact state changes

#### TEMPERATURE MEASUREMENT

Embedded temperature sensor measures room temperature

#### ADVANCED SECURITY

Tamper switch alerts unauthorized activities

#### EASY INSTALLATION

Adhesive strips or mounting screws

#### LONG BATTERY LIFE

Reed switch-based design ensures long battery life. The end user is anyhow notified about critical battery level

### TECHNICAL SPECS

#### COMMUNICATION PROTOCOL

ZigBee

#### RANGE

Up to 30m (depending on your home's construction)

#### OPERATING CONDITIONS

Indoor usage (protection degree IP20)  
 Temperature: -5 to 45 °C

#### POWER

Battery powered (1 x CR2450 battery, pre-installed)

#### TEMPERATURE MEASUREMENT

Range: -5 to 45 °C  
 Accuracy: ~1 °C



## KEY FEATURES

Energy saving

Minimum/maximum temperature limitations

Open window function

Easy installation

### Radiator Thermostat DF200

Radiator Thermostat is easy to install thermostat for residential use which provides high level of comfort and helps you to save energy.

Use Cases:  

## TECHNICAL SPECS

### COMMUNICATION PROTOCOL

ZigBee

### RANGE

Up to 30m (depending on your home's construction)

### OPERATING CONDITIONS

Temperature: 0 to 40 °C

### TEMPERATURE SETPOINT RANGE

5 to 35°C

### MAXIMUM WATER TEMPERATURE

90°C

### POWER

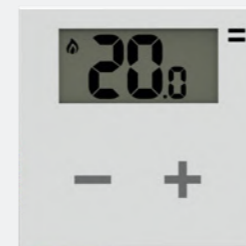
Battery powered (2 x AA batteries, 1.5V)

### POWER CONSUMPTION

1.2 W

### DIMENSIONS

Ø x D: 55 x 94 mm (with RA valve adapter)



## KEY FEATURES

Capacitive buttons with lock function

Energy saving

Easy installation

### Room Thermostat RT100

Room Thermostat is a device which allows you to remotely control heating and cooling systems in your home. It is easy to install and use and it provides a high level of comfort.

Use Cases:  

## TECHNICAL SPECS

### COMMUNICATION PROTOCOL

ZigBee

### RANGE

Up to 30m (depending on your home's construction)

### OPERATING CONDITIONS

Indoor usage

Temperature: -10 to 60 °C

### TEMPERATURE

Setting range: +7 to 50 °C

Resolution: 0.1 °C

Accuracy: ± 0.5 °C

### POWER

Battery powered (2x AA batteries, 1.5V)

### DIMENSIONS

W x H x D: 86 x 86 x 22 mm



## KEY FEATURES

Glass panel

Heating, cooling and ventilation modes

Easy installation

### Fan Coil Thermostat MC101 - for 2-pipe system MC102 - for 4-pipe system

Fan Coil Thermostat is a Z-Wave device for indoor temperature control in 2-pipe and 4-pipe fan coil systems.

Use Cases:  

## TECHNICAL SPECS

### COMMUNICATION PROTOCOL

Z-Wave

### RANGE

Up to 40m (depending on your home's construction)

### OPERATING CONDITIONS

Indoor usage

Temperature: 0 to 55 °C

### TEMPERATURE

Setting range: 5 to 35°C

### POWER

AC85V~260V, 50/60HZ

### DIMENSIONS

W x H x D: 86 x 86 x 42 mm



## KEY FEATURES

Glass panel

Energy saving

Easy installation

### Room Thermostat MC100

Room Thermostat is a device which allows you to remotely control heating systems in your home. It is easy to install and use and it provides a high level of comfort and helps you to save energy.

Use Cases:  

## TECHNICAL SPECS

### COMMUNICATION PROTOCOL

Z-Wave

### RANGE

Up to 30m (depending on your home's construction)

### OPERATING CONDITIONS

Indoor usage

Temperature: 0 to 50 °C

### TEMPERATURE

Setting range: 5 to 37°C

### POWER

AC220V±10, 50/60HZ

### DIMENSIONS

W x H x D: 86 x 86 x 43 mm



## KEY FEATURES

Detects Carbon Monoxide (CO)

Audio alert

### CO Sensor HM100

Smart Carbon Monoxide (CO) gas detector provides you and your family with a loud warning signal against the dangers of elevated carbon monoxide levels in your home.

Use Cases:

## TECHNICAL SPECS

### COMMUNICATION PROTOCOL

ZigBee

### RANGE

Up to 40m (depending on your home's construction)

### OPERATING CONDITIONS

Indoor usage  
Temperature: -10 to 50 °C

### POWER

Battery powered (DC3V lithium battery, included)

### SOUND ALARM

85dB/1m

### DIMENSIONS

W x H x D: 60 x 60 x 49 mm



## KEY FEATURES

Detects water leakage

Low battery indication

### Flood Sensor HM300

By using Flood Sensor you can prevent avoidable water damage to your home or belongings. It will warn you instantly of any potential damage.

Use Cases:

## TECHNICAL SPECS

### COMMUNICATION PROTOCOL

ZigBee

### RANGE

Up to 40m (depending on your home's construction)

### OPERATING CONDITIONS

Indoor usage  
Temperature: -10 to 50 °C

### POWER

Battery powered (DC3V lithium battery, included)

### DIMENSIONS

W x H x D: 60 x 30 x 12 mm



## KEY FEATURES

Detects smoke

Audio alert

### Smoke Sensor HM200

Keep your house safe with installed Smoke Sensor, get an instant notification about any potential danger and optionally permit siren warning activation.

Use Cases:

## TECHNICAL SPECS

### COMMUNICATION PROTOCOL

ZigBee

### RANGE

Up to 40m (depending on your home's construction)

### OPERATING CONDITIONS

Indoor usage  
Temperature: -10 to 50 °C

### POWER

Battery powered (DC3V lithium battery, included)

### SOUND ALARM

85dB/3m

### DIMENSIONS

W x H x D: 60 x 60 x 49 mm



## KEY FEATURES

Detects combustible gas leakage

Audio alert

### Combustible Gas Sensor HM700

Combustible Gas Sensor is used for early detection of combustible gas leakage. In such case, a loud alarm will trigger and you will get an instant notification.

Use Cases:

## TECHNICAL SPECS

### COMMUNICATION PROTOCOL

ZigBee

### RANGE

Up to 40m (depending on your home's construction)

### OPERATING CONDITIONS

Indoor usage  
Temperature: -10 to 50 °C

### POWER

110 - 230 VAC ±10%

### SOUND ALARM

85dB/1m

### DIMENSIONS

W x H x D: 68 x 79 x 45.5 mm



## KEY FEATURES

Detects motion

110° detecting angle

### Motion Sensor HM400

Motion Sensor lets you know if everything is okay in your house, so you can relax wherever you are. Sensor works when you are not home, or when you tell the system that you are not there.

Use Cases:   

## TECHNICAL SPECS

### COMMUNICATION PROTOCOL

ZigBee

### RANGE

Up to 40m (depending on your home's construction)

### OPERATING CONDITIONS

Indoor usage  
Temperature: -10 to 50 °C

### DIMENSIONS

W x H x D: 65 x 65 x 28 mm

### POWER

Battery powered (DC3V lithium battery, included)

### DETECTING ANGLE

110°

### DETECTING DISTANCE

9-12 m



## KEY FEATURES

Allows definition of 8 scenes with 4 buttons available (short and long press)

Embedded temperature sensor measures room temperature

Easy installation

Screw-less masks available in a variety of colors and materials

### Battery Scene Controller BC100

Increase your comfort by setting up ambiance scenes in your home - use stylish, innovative, affordable and simple solution - Battery Scene Controller.

Use Cases: 

## TECHNICAL SPECS

### COMMUNICATION PROTOCOL

ZigBee

### RANGE

Up to 40m (depending on your home's construction)

### OPERATING CONDITIONS

Indoor usage  
Temperature: -5 to 45 °C

### POWER CONSUMPTION

1.7 W

### POWER

Battery powered (1 x CR2450 battery, included)

### TEMPERATURE MEASUREMENT

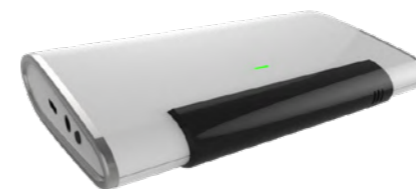
Range: -5 to 45 °C  
Accuracy: ~1 °C

## KEY FEATURES

Compatible with more than 250 AC vendors

Simple AC commands learning

Built-in temperature sensor



### AC Controller RM100

AC Controller makes your AC smart with main goal to maximize your comfort. Also, by using it you can save more on your AC energy costs.

Use Cases:  

## TECHNICAL SPECS

### COMMUNICATION PROTOCOL

Z-Wave

### RANGE

Up to 30m (depending on your home's construction)

### IR RANGE

Up to 8m line of sight

### TEMPERATURE MEASUREMENT

Range: 0 to 40 °C  
Accuracy: ~1 °C

### OPERATING CONDITIONS

Indoor usage  
Temperature: 0 to 40 °C

### POWER

5 VDC, 100 mA

### DIMENSIONS

W x H x D: 81 x 22 x 132 mm

## KEY FEATURES

Tamper alarm

Long battery life

Easy installation



### Multi Sensor PT100

Multi Sensor combines motion sensor (PIR), temperature sensor and light intensity sensor - all in one small package.

Use Cases:    

## TECHNICAL SPECS

### COMMUNICATION PROTOCOL

Z-Wave

### RANGE

Up to 40m (depending on your home's construction)

### OPERATING CONDITIONS

Indoor usage  
Temperature: -10 to 40 °C

### POWER

Battery powered (1 x CR123A battery, included)

### DIMENSIONS

W x H x D: 28 x 96 x 23 mm



## KEY FEATURES

360° IR range

Easy installation

### IR transceiver HK 100

IR transceiver is the ideal device for increasing your comfort. By using it, you can easily control your home cooling or multi media system from any mobile device.

Use Cases:  

## TECHNICAL SPECS

**COMMUNICATION PROTOCOL**  
Z-Wave

**RANGE**  
Up to 30m (depending on your home's construction)

**IR RANGE**  
Up to 7m line of sight

**OPERATING CONDITIONS**  
Indoor usage  
Temperature: 0 to 40 °C

**POWER**  
5V/1A Micro USB

**DIMENSIONS**  
W x H x D: 85 x 22 x 85 mm



## KEY FEATURES

2 Megapixel Wi-Fi camera

Built-in motion sensor

Micro SD card support (up to 128GB)

### Indoor IP Camera 115W

IP Camera's elegant blend of aesthetics combined with a range of easy mounting options provides an excellent choice for a variety of small Wi-Fi applications at an affordable price.

Use Cases:  

## TECHNICAL SPECS

**COMMUNICATION PROTOCOL**  
IP

**VIDEO**  
Compression: H.264  
Resolution: FHD (1920\*1080), VGA (640\*352), QVGA (320\*176)

**AUDIO**  
Format: G711/726  
Microphone: -52dB

**OPERATING CONDITIONS**  
Indoor usage  
Temperature: -10 to 50 °C

**POWER**  
5 VDC, 1 A, USB

**DIMENSIONS**  
Ø x D: 92 x 28 mm



## KEY FEATURES

2 Megapixel Wi-Fi camera

Night mode

Built-in motion sensor

Micro SD card support (up to 128GB)

### Outdoor IP Camera 158W

Outdoor IP Camera delivers 2MP resolution with night vision option and SD card support making it the perfect choice for your home's security.

Use Cases:  

## TECHNICAL SPECS

**COMMUNICATION PROTOCOL**  
IP

**VIDEO**  
Compression: H.264  
Resolution: FHD (1920\*1080), VGA (640\*352), QVGA (320\*176)

**NIGHT MODE**  
IR angle: 110 °  
IR range: 15m

**OPERATING CONDITIONS**  
Outdoor usage  
Temperature: -10 to 50 °C

**POWER**  
12 VDC, 1A

**DIMENSIONS**  
Ø x D: 72 x 180 mm



## KEY FEATURES

1.3 Megapixel Wi-Fi camera

PTZ control

Built-in motion sensor

Micro SD card support (up to 64GB)

### PTZ Indoor IP Camera A10D

PTZ Indoor IP Camera with 1.3MP resolution, built-in motion sensor, microphone and PTZ is a perfect choice for your home's security.

Use Cases:  

## TECHNICAL SPECS

**COMMUNICATION PROTOCOL**  
IP

**VIDEO**  
Compression: H.264  
Resolution: SXGA (1280\*1024), VGA (640\*352), QVGA (320\*176)

**AUDIO**  
Format: G711/726  
Microphone: -52dB

**OPERATING CONDITIONS**  
Indoor usage  
Temperature: -10 to 50 °C

**POWER**  
5 VDC 2A

**DIMENSIONS**  
W x H x D: 95 x 115 x 120 mm



## KEY FEATURES

Remote control of bulbs

Power consumption measurement

Easy installation

### Flush Dimmer QU410

Flush Dimmer fits into standard mounting box and makes a switch smart. It allows you to remotely control and dim all types of dimmable bulbs from OBLO app.

Use Cases:  

## TECHNICAL SPECS

**COMMUNICATION PROTOCOL**  
Z-Wave

**RANGE**  
Up to 30m (depending on your home's construction)

**OPERATING CONDITIONS**  
Indoor usage  
Temperature: -10 to 40 °C

**POWER**  
110 - 230 VAC ±10% 50 / 60 Hz  
(24-30 VDC)

**RATED LOAD CURRENT OF AC/DC OUTPUT (RESISTIVE LOAD)**  
0.6 A / 230 VAC | 0.85 A / 30 VDC

**OUTPUT CIRCUIT POWER OF AC/DC OUTPUT (RESISTIVE LOAD)**  
140 W (230 VAC) | 21 W (24 VDC)

**POWER CONSUMPTION**  
0.7W

**DIMENSIONS**  
W x H x D: 42 x 37 x 15 mm



## KEY FEATURES

Remote control

Power consumption measurement

Easy installation

### Flush 1 Relay QU300

Flush 1 Relay is ideal as an electrical device switch for lights, fans, ovens, washing machines, irons, power sockets, garage doors, electric radiators, water heaters, etc. You can control it either remotely from OBLO app or through wall switch.

Use Cases:    

## TECHNICAL SPECS

**COMMUNICATION PROTOCOL**  
Z-Wave

**RANGE**  
Up to 30m (depending on your home's construction)

**OPERATING CONDITIONS**  
Indoor usage  
Temperature: -10 to 40 °C

**DIMENSIONS**  
W x H x D: 42 x 37 x 15 mm

**RATED LOAD CURRENT OF AC/DC OUTPUT (RESISTIVE LOAD)**  
1 X 10 A / 230 VAC | 1 X 10A / 30 VDC

**OUTPUT CIRCUIT POWER OF AC/DC OUTPUT (RESISTIVE LOAD)**  
2300 W (230 VAC) | 240 W (24 VDC)

**POWER**  
110 - 230 VAC ±10% 50 / 60 Hz  
(24-30 VDC)



## KEY FEATURES

Blinds, rollers, shades and venetian blinds motor control

Power consumption measurement

Easy installation

### Flush Shutter QU100

Flush Shutter allows you to control the motors of blinds, rollers, shades, venetian blinds, etc. You can control it either remotely from OBLO app or through wall switch.

Use Cases:  

## TECHNICAL SPECS

**COMMUNICATION PROTOCOL**  
Z-Wave

**RANGE**  
Up to 30m (depending on your home's construction)

**OPERATING CONDITIONS**  
Indoor usage  
Temperature: -10 to 40 °C

**DIMENSIONS**  
W x H x D: 42 x 37 x 17 mm

**POWER**  
110 - 230 VAC ±10% 50 / 60 Hz  
(24-30 VDC)

**RATED LOAD CURRENT OF AC OUTPUT (RESISTIVE LOAD)**  
2 X 4 A / 230 VAC

**OUTPUT CIRCUIT POWER OF AC OUTPUT (RESISTIVE LOAD)**  
2 X 920 W (230 VAC)



## KEY FEATURES

Supports digital temperature sensor

Measures power consumption

Easy installation

### Flush ON/OFF Thermostat QU702

Flush ON/OFF Thermostat is ideal for controlling electric or water-based underfloor heating systems, electric water heaters, hot water pumps, electric radiators and similar. You can control it either remotely from OBLO app or through wall switch.

Use Cases:  

## TECHNICAL SPECS

**COMMUNICATION PROTOCOL**  
Z-Wave

**RANGE**  
Up to 30m (depending on your home's construction)

**OPERATING CONDITIONS**  
Indoor usage  
Temperature: -10 to 40 °C

**DIMENSIONS**  
W x H x D: 42 x 37 x 15 mm

**DIGITAL TEMPERATURE SENSOR**  
Range: -50 to 125°C

**POWER**  
110 - 230 VAC ±10% 50 / 60 Hz  
(24-30 VDC)

**POWER CONSUMPTION**  
0.4W

**DIMENSIONS**  
W x H x D: 42 x 37 x 15 mm



### Flush Dimmer 0-10V QU400

Flush Dimmer is a universal controller with a standard 0-10V output and a multi-function input, which may be a push button or switch, a potentiometer or a 0-10V signal. It is ideal for remote control of LED lights, fans and motors.

Use Cases:   

#### KEY FEATURES

Remote control of LED lights, fans and motors

Supports digital temperature sensor

Easy installation

#### TECHNICAL SPECS

**COMMUNICATION PROTOCOL**  
Z-Wave

**RANGE**  
Up to 30m (depending on your home's construction)

**OPERATING CONDITIONS**  
Indoor usage  
Temperature: -10 to 40 °C

**POWER**  
12-24 VDC

**MAX SINKING CONTROL VOLTAGE**  
-20 /+20 VDC

**MAX SOURCING CONTROL VOLTAGE**  
0 - 11 VDC

**POWER CONSUMPTION**  
0.5 W

**DIMENSIONS**  
W x H x D: 42 x 37 x 15 mm



### Siren AT100

Siren is the perfect accessory that keeps your home safe from potential burglars.

Use Cases: 

#### KEY FEATURES

105 dB alarm

Backup battery

Easy installation

#### TECHNICAL SPECS

**COMMUNICATION PROTOCOL**  
Z-Wave

**RANGE**  
Up to 30m (depending on your home's construction)

**OPERATING CONDITIONS**  
Indoor usage  
Temperature: 0 to 45 °C

**POWER CONSUMPTION**  
1.7 W

**POWER**  
Backup battery (430 mAh lithium battery, pre-installed)

**DIMENSIONS**  
W x H x D: 55.8 x 83.8 x 45.7 mm

# OBLO LIVING

## WORKS WELL WITH

 ALING-CONEL



PHILIPS

SONOS



OSRAM



**OBLO**  
L I V I N G

Narodnog Fronta 23a  
21000 Novi Sad  
Serbia

phone: +381(0)21 480 1171  
fax: +381(0)21 480 1116

[sales@obloliving.com](mailto:sales@obloliving.com)  
[www.obloliving.com](http://www.obloliving.com)